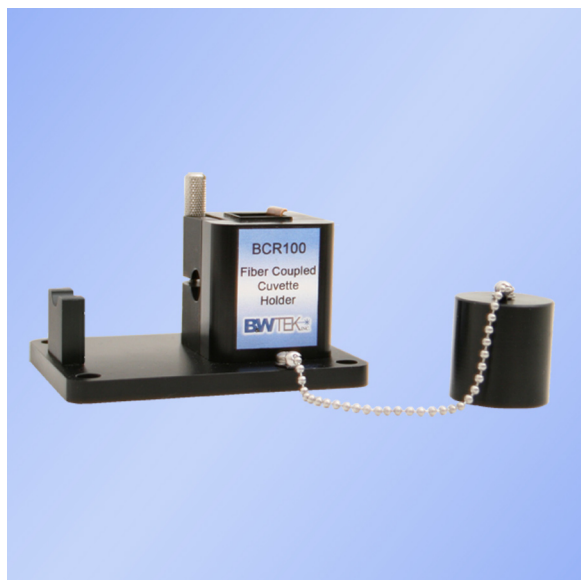


# BCR100

## Raman Cuvette Holder



BCR100 series cuvette holders are designed for raman sampling, and ease of sample handling. It holds a standard 12.5 x 12.5 mm cuvette for liquid or powder samples to be measured with connected raman systems. The cuvette sample holder provides a stop to prevent the probe shaft from hitting the cuvette and an excitation light trap to reduce background fluorescence.

The Standard Probe, BCR100 - 0.375 in, is designed for probe with 3/8" OD shaft diameter.

The Industrial Probe, BCR100 - 12 mm, is designed for probe with 12 mm OD shaft diameter.

### Highlights

- Light trap to reduce background fluorescence
- Probe shaft stop and clamp
- High position repeatability

### Specifications

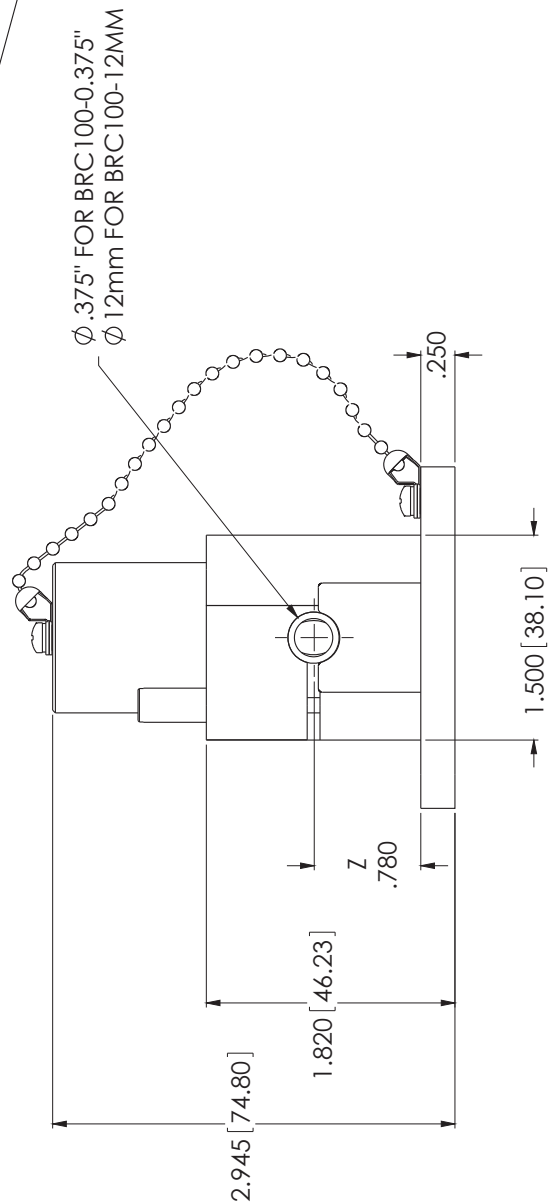
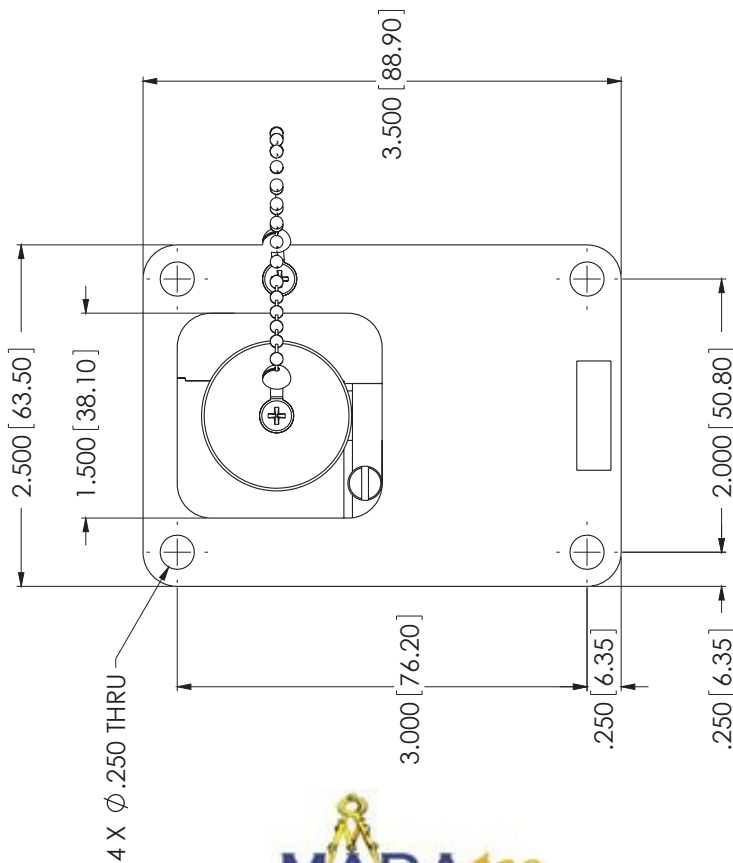
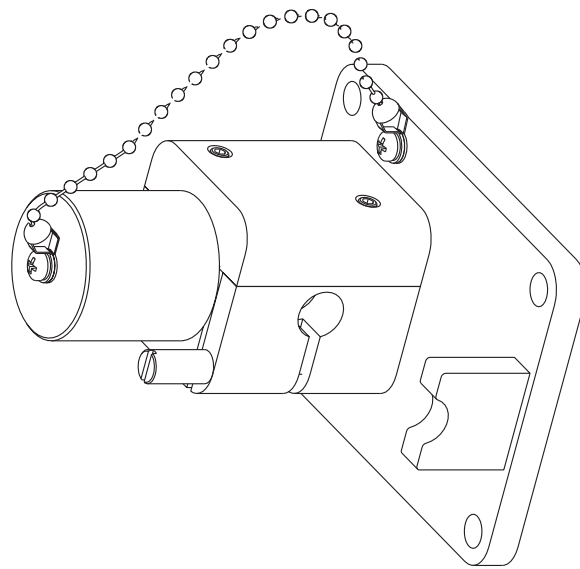
|                      |                       |
|----------------------|-----------------------|
| Probe port diameter: | 3/8 in or 12 mm       |
| Cuvette size:        | 12.5 x 12.5 mm        |
| Dimensions:          | See attached drawings |



MADATEC Srl  
WWW.MADATEC.COM  
Italy +39-0236542401

# BRC100

## Raman Cuvette Holder



UNIT: INCH [MILLIMETER]



MADATEC Srl  
 WWW.MADATEC.COM  
 Italy +39-0236542401



19 Shea Way, Newark, DE 19713, USA · Web: [www.bwtek.com](http://www.bwtek.com)  
 Tel: (302) 368-7824 · Fax: (302) 368-7830 · E-mail: [info@bwtek.com](mailto:info@bwtek.com)